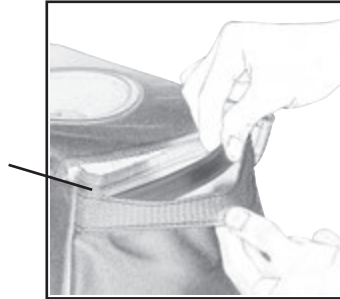




StashAway® Console & Headrest Trash Bin Installation & Instructions

Start by installing the plastic side braces (included):

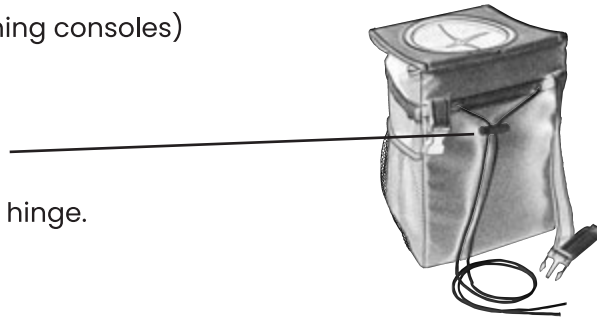
1. Locate the orange inserts under the side handles. The inserts show where and how the braces fit.
2. Remove one insert and replace with a plastic brace by putting one end behind handle end.



3. Slightly bend the brace and slide the other end of the brace under the opposite end of handle. The brace should now be straight and rigid to provide structure. (do not bend the brace too far as it may break)
4. Repeat on the other side.

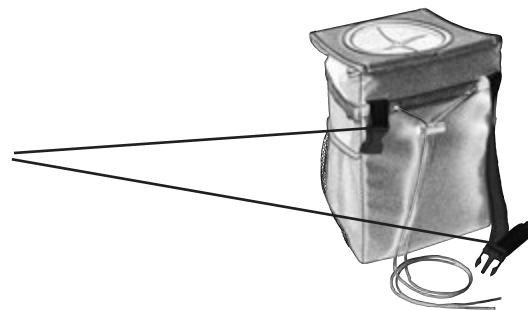
Installing behind the console: (works with front opening consoles)

1. Open the console lid
2. Locate the cord with cord lock on the back of product
3. Slide the cord over the console cover until it reaches the hinge. Tighten by pulling the cord.
4. Tuck any additional string inside console
5. Close the console cover



Installing behind seat:

1. Locate the web straps with buckles on the back
2. Wrap straps around headrest posts
3. Snap buckles together



HIGH ROAD®

Division of Talus Corp
Portland, ME 04103
Made in China
www.highroadorganizers.com
ZS-HR-5567-3X